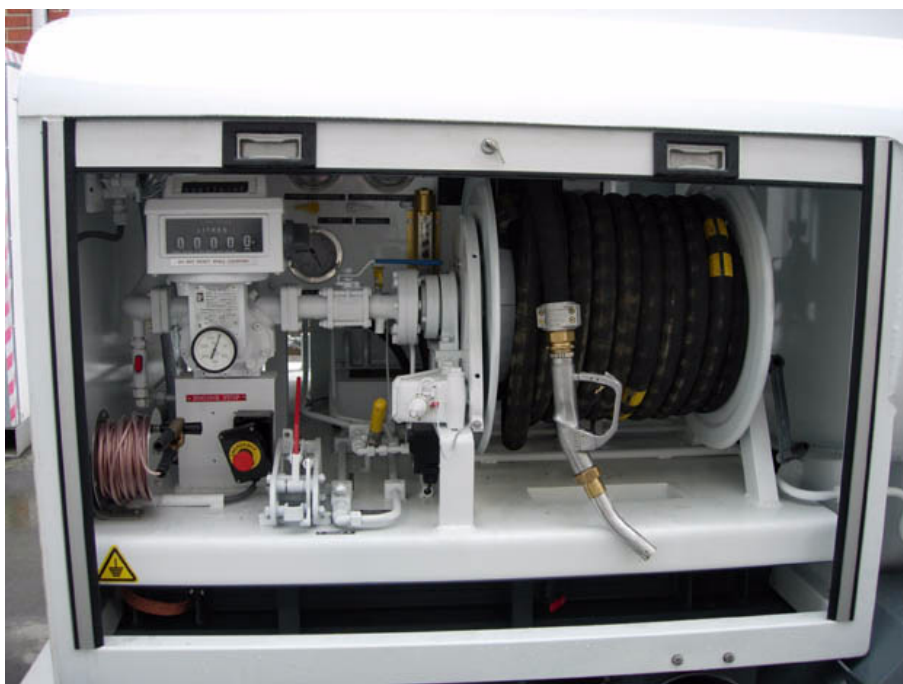


Aviation Refuelling

ATCOMEX
000 I ISO 9001



TRAILER 5.000L



Atcomex Company nv

Nijverheidslaan 6
B-8560 Gullegem
Belgium

Tel. 32 56 43 99 20

Fax. 32 56 40 00 56

Email: atc.gullegem@atcomex.be

BTW/TVA BE 0425 920 763

RPR/RPM KORTRIJK

Atrefco nv Atcomex Hamme

Industriepark Zwaarveld 11

B-9220 Hamme

Belgium

Tel. 32 52 49 92 90

Fax. 32 52 47 84 32

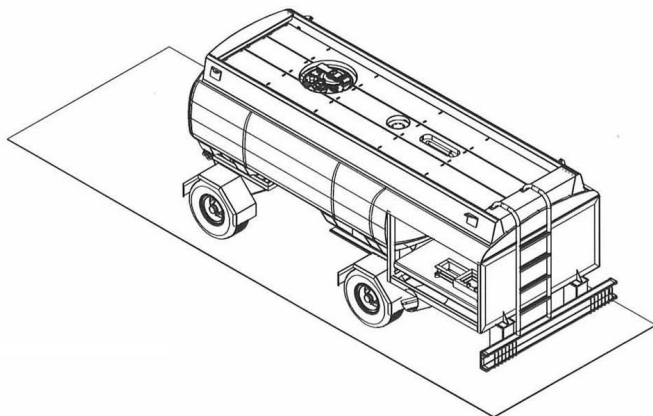
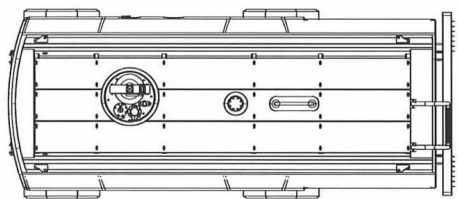
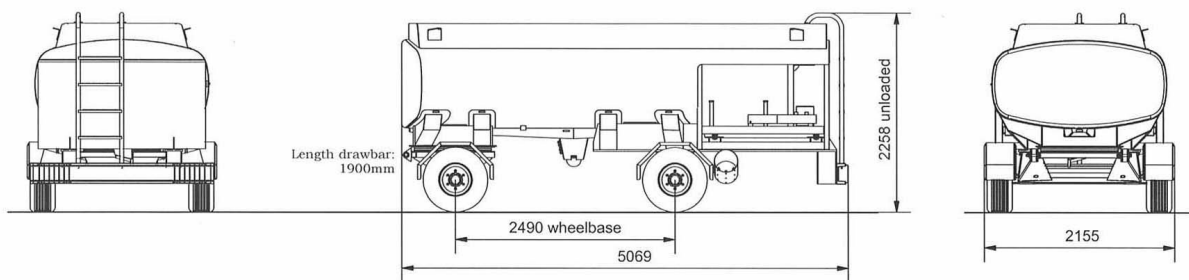
Email: info.hamme@atcomex.be

BTW/TVA BE 0433 655 920

RPR/RPM DENDERMONDE

www.atcomex.be

08 - 2007



TECHNICAL SPECIFICATIONS

- Tractor Massey Ferguson MF 1260 2WD with hydraulic drive.
- Trailer Aluminium tank 5000L capacity.
- Refuelling rate overwing: 120 lpm.
- Overfill protection.
- Hydraulic driven fuel pump.

SAFETY FEATURES

- Wired to ADR standard.
- Build to the latest CEN specifications and conform to the latest JIG into plane specifications.

AVAILABLE FOR AVGAS OR JET