

Aviation Refuelling

ATCOMEX
000 T ISO 9001



RIGID 10.000L



Atcomex Company nv

Nijverheidslaan 6
B-8560 Gullegem
Belgium

Tel. 32 56 43 99 20

Fax. 32 56 40 00 56

Email: atc.gullegem@atcomex.be

BTW/TVA BE 0425 920 763

RPR/RPM KORTRIJK

Atrefco nv Atcomex Hamme

Industriepark Zwaarveld 11

B-9220 Hamme

Belgium

Tel. 32 52 49 92 90

Fax. 32 52 47 84 32

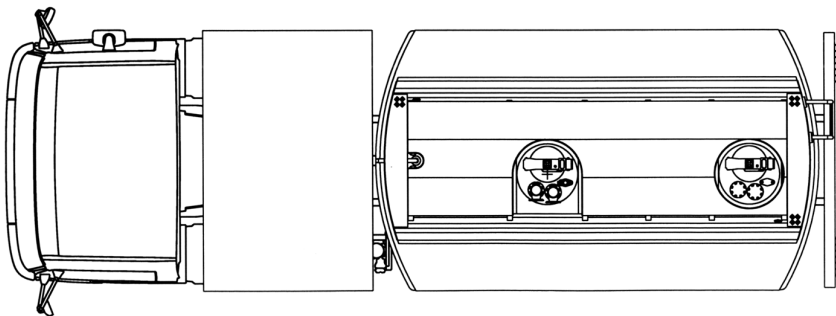
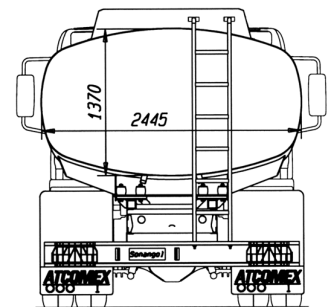
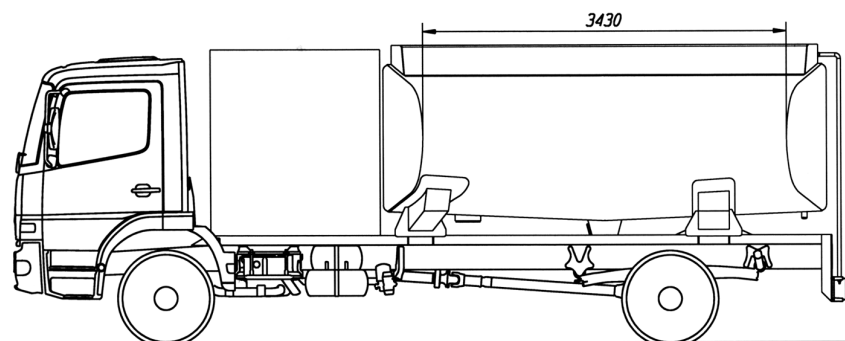
Email: info.hamme@atcomex.be

BTW/TVA BE 0433 655 920

RPR/RPM DENDERMONDE

www.atcomex.be

08 - 2007



TECHNICAL SPECIFICATIONS

- Rigid Mercedes chassis Atego 1618 4x2 (other chassis makes available).
- Aluminium tank 10.000 litres capacity.
- Refuelling rate underwing: 1000 lpm.
- Refuelling rate overwing: 350lpm.
- Primary and secondary overfill protection.
- Single HEPCV and inline pressure control valve.
- Defuelling feature.
- External suction.

SAFETY FEATURES

- Deadman control with timer function. With cable or wireless.
- Interlock system.
- Pneumatic operated handrails on top of tank or bi-line system.
- Wired to ADR standard.
- Build to the latest CEN specifications and conform to the latest JIG into plane specifications.